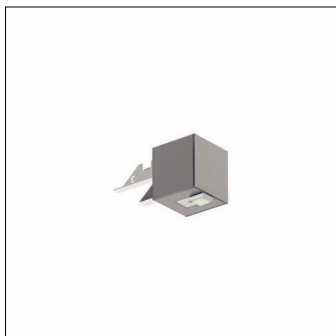


Order No.: 59MX2BW100SA | GTIN (EAN): 4058352760390

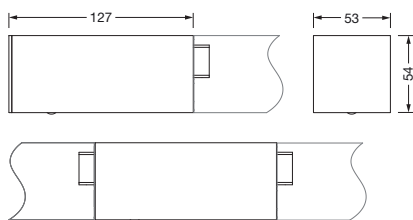
Product description: Sil21,SensMoPR3S,lokCtrl,PIR-sens



Silica® 21sensor module PR3-S, slave, local control, dimmable, installation arrangement: single/continuous arrangement, installation type: slip-in mounting, installation location: to the luminaire, of extruded aluminium section, protection rating (complete): IP20, insulation class (complete): insulation class I (protective earthing), certification: CE, 1 x PIR movement sensor, 1 x light sensor, packaging unit: 1 piece

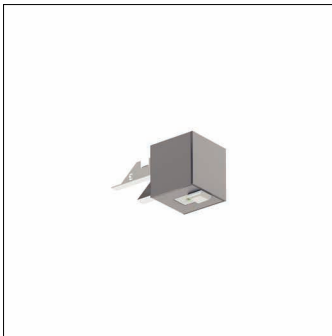
IP 20  

Wt. (kg): 0.3
GTIN (EAN): 4058352760390



Order No.: 59MX2BW100SA | GTIN (EAN): 4058352760390

Detailed technical description: Sil21,SensMoPR3S,IokCtrl,PIR-sens



Key data

- System family: SITECO Connect 31 Wireless
- Product type: lighting management components
- Product name: Silica® 21
- Order No.: 59MX2BW100SA

Lighting technology | Lamps | Control gear

Component 1

Operating device:

- Control: Bluetooth® mesh 4.2, dimmable

Certificates, Standards

- Protection rating: IP20
- Insulation class: insulation class I (protective earthing)
- Temperature range (operation): 0..+40°C
- Certification, designation: CE

Material, Colour

- housing: extruded aluminium section, anodised, metallic grey (RAL 9006), for luminaires with opal or prismatic cover
- Colour specification: metallic grey (RAL 9006)

Mounting

- Mounting method, mounting location: slip-in mounting, to the luminaire
- Mounting height: 2.5..5m
- Arrangement: single/continuous arrangement
- Supplement: for surface-mounted luminaires, for pendant luminaires

Dimensions, Weight

- Length: 127mm
- Width: 53mm
- Height: 54mm
- Weight: 0.3kg

Inputs

1x PIR movement sensor

- Connection: PIR sensor (passive-infrared)

Order No.: 59MX2BW100SA | GTIN (EAN): 4058352760390

Dimensions: Sil21,SensMoPR3S,lokCtrl,PIR-sens

