

**Order No.:** 5XA779426001AA | **GTIN (EAN):** 4058352905739

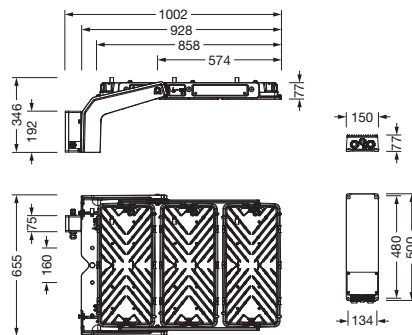
**Product description:** FL11mxproRe,RSD11740,DA2



Floodlight FL 11 maxi pro Remote floodlight; light control with lens of PMMA; cover panel of toughened safety glass, transparent; light distribution: RSD11, rotationally symmetric direct distribution, LEDcolour temperature: 4000K, colour rendering: CRI > 70, light colour: 740; brightness control: DALI 2 (1 DALI address); with terminal, 8-pole, max. 2.5mm<sup>2</sup>, mains connection: 220..240V/380..400V AC, 50/60Hz, surge voltage resistance: line to ground: 10kV, dimming range 10..100%, dustproof LED module, LED unit replaceable without ESD environment, no afterglow with DALI off / DMX off command, ECG replaceable separately; floodlight mounting bracket, of diecast aluminium, uncoated, natural, equipment: Power, impact resistance: IK07; packaging unit: 1 piece

IK 07

Lamps:	LED
Wt. (kg):	29.6
GTIN (EAN):	4058352905739



Order No.: 5XA779426O01AA | GTIN (EAN): 4058352905739

Detailed technical description: FL11mxproRe,RSD11740,DA2



#### Key data

- Product type: floodlight
- Product name: Floodlight FL 11 maxi pro Remote
- Order No.: 5XA779426O01AA

#### Lighting technology | Lamps | Control gear

##### Component 1

#### Lighting technology:

- Light control: lens of PMMA
- Cover: cover panel, transparent
- Light distribution: RSD11
- Symmetry: rotationally symmetric
- Light emission: direct distribution

#### Lamps:

- Lamps: with LED
- Colour temperature: 4000K
- Colour rendering index: CRI > 70
- Light colour: 740

#### Operating device:

- Control: DALI 2 (1 DALI address)

#### Certificates, Standards

- Impact resistance: IK07

#### Material, Colour

- mounting bracket: diecast aluminium, uncoated, natural
- Colour specification: natural
- Cover: cover panel of toughened safety glass

#### Electrical connection

- Connection: terminal, 8-pole, max. 2.5mm<sup>2</sup>
- Nominal voltage: 220..240V/380..400V, 50/60Hz, AC
- Surge voltage resistance: line to ground: 10kV

#### Dimensions, Weight

- Weight: 29.6kg

#### Service life

- Rated service life: 10000h (L96/B10) at AT = 10°C, 75000h (L80/B10) at AT = 10°C

Order No.: 5XA779426O01AA | GTIN (EAN): 4058352905739

Dimensions: FL11mxproRe,RSD11740,DA2



It is mandatory that the assembly instructions must be observed when planning and installing the electrical installation (to be found at [www.siteco.de](http://www.siteco.de))  
Tolerances related to thermal, electrical and photometric data according to IEC 62722  
Issued 01.03.2024 - Modifications and errors subject to change - Ensure that you always use the latest version -