

**Order No.:** 51MY52GATCW | **GTIN (EAN):** 4058352966679

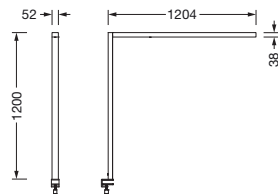
**Product description:** Sil31D,8520lm8tw,Tdi,PIR-sens,wh



Silica® 31 Desk, desktop luminaire, secondary optical cover: cover panel, of PMMA, light emission: direct/indirect distribution, primary light characteristic: symmetric, installation type: as desk luminaire, LED, rated luminous flux: 8.520lm, luminous efficacy: 120lm/W, light colour: 8tw, colour temperature: 2700..6500K, daylight-dependent control, with cable with plug, mains connection: 230V, AC, 50Hz, connection cable pre-assembled, rated input power: 71W, luminaire head, of aluminium, traffic white (RAL 9016), length: 1.203mm, width: 52mm, supporting column, angular, of aluminium, traffic white (RAL 9016), baseplate, of steel, traffic white (RAL 9016), protection rating (complete): IP20, insulation class (complete): insulation class I (protective earthing), certification: CE, permissible operating ambient temperature: -20..+40°C, standard: EN 50419, packaging unit: 1 piece

IP 20  

Lamps:	LED
Wt. (kg):	4.4
GTIN (EAN):	4058352966679



It is mandatory that the assembly instructions must be observed when planning and installing the electrical installation (to be found at [www.siteco.de](http://www.siteco.de))

Tolerances related to thermal, electrical and photometric data according to IEC 62722

Issued 27.04.2024 - Modifications and errors subject to change - Ensure that you always use the latest version -

**Order No.:** 51MY52GATCW | **GTIN (EAN):** 4058352966679

**Detailed technical description:** Sil31D,8520lm8tw,Tdi,PIR-sens,wh



#### Key data

- Product type: desktop luminaire
- Product name: Silica® 31 Desk
- Order No.: 51MY52GATCW

#### Lighting technology | Lamps | Control gear

##### Component 1

#### Lighting technology:

- Beam angle: wide distribution
- Symmetry: symmetric
- Secondary cover: cover panel
- Light emission: direct/indirect distribution, 76:24
- UGR viewing direction along longitudinal luminaire axis:  $\leq 16$
- UGR viewing direction along lateral luminaire axis:  $\leq 16$

#### Lamps:

- Lamps: with LED
- Rated luminous flux: 8520lm
- Luminous efficacy: 120lm/W
- Colour temperature: 2700..6500K
- Colour rendering index: CRI > 80
- Light colour: 8tw
- SDCM (Standard Deviation of Colour Matching): MacAdam  $\leq 3$  SDCM (initial)
- Rated input power: 71W
- Supplement: with ambient light and presence detector

#### Operating device:

- Control: Touchdim
- Switching method: daylight-dependent control

#### Certificates, Standards

- Protection rating: IP20
- Insulation class: insulation class I (protective earthing)
- Temperature range (operation): -20..+40°C
- Standard: EN 50419
- Certification, designation: CE

#### Material, Colour

- luminaire head: aluminium, traffic white (RAL 9016)
- Colour specification: traffic white (RAL 9016)
- supporting column: aluminium, traffic white (RAL 9016), angular
- Quantity: 1 piece
- Colour specification: traffic white (RAL 9016)
- baseplate: steel, traffic white (RAL 9016)
- Quantity: 1 piece
- Colour specification: traffic white (RAL 9016)
- Cover: cover panel of PMMA

#### Mounting

- Mounting method, mounting location: as desk luminaire

#### Electrical connection

- Connection: cable with plug
- Nominal voltage: 230V, 50Hz, AC
- Connection cable: pre-assembled

#### Dimensions, Weight

- Length: 1203mm
- Width: 52mm
- Weight: 4.4kg

#### Service life

- Rated service life: 100000h (L80/B10) at AT = 25°C

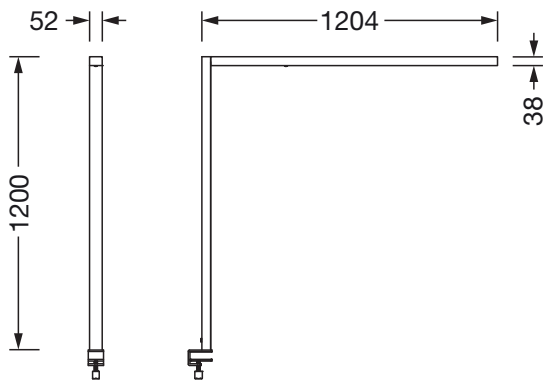
#### Inputs

##### 1x PIR movement sensor

- Connection: PIR sensor (passive-infrared)

Order No.: 51MY52GATCW | GTIN (EAN): 4058352966679

Dimensions: Sil31D,8520lm8tw,Tdi,PIR-sens,wh



It is mandatory that the assembly instructions must be observed when planning and installing the electrical installation (to be found at [www.siteco.de](http://www.siteco.de))

Tolerances related to thermal, electrical and photometric data according to IEC 62722

Issued 27.04.2024 - Modifications and errors subject to change - Ensure that you always use the latest version -