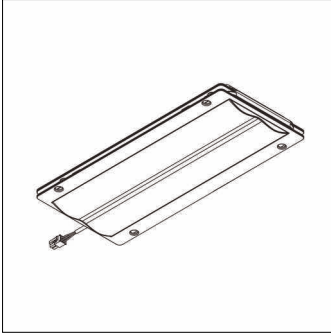


**Order No.:** 5XMOD11143 | **GTIN (EAN):** 4050737958330

**Product description:** SL10mnm,LEDmod,ST1.2P1.0,750

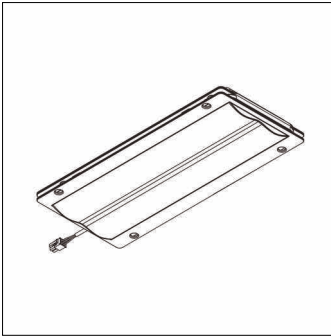


Streetlight 10 mini/midi, LED module, light distribution: ST1.2P1.0, High Power LED, light colour: 750, colour temperature: 5000K, mains connection: 230..240V, 50Hz, LED module, length: 310mm, width: 137mm, height: 40mm, protection rating (complete): as luminaire, packaging unit: 1 piece

Wt. (kg): 1.2  
GTIN (EAN): 4050737958330

Order No.: 5XMOD11143 | GTIN (EAN): 4050737958330

Detailed technical description: SL10mmd,LEDmod,ST1.2P1.0,750



#### Key data

- Product type: LED module
- Product name: Streetlight 10 mini/midi
- Order No.: 5XMOD11143

#### Lighting technology | Lamps | Control gear

##### Component 1

#### Lighting technology:

- Light distribution: ST1.2P1.0
- Beam angle: wide distribution

#### Lamps:

- Lamps: with High Power LED
- Colour temperature: 5000K
- Colour rendering index: CRI > 70
- Light colour: 750

#### Certificates, Standards

- Protection rating: as luminaire

#### Electrical connection

- Nominal voltage: 230..240V, 50Hz

#### Dimensions, Weight

- Length: 310mm
- Width: 137mm
- Height: 40mm
- Weight: 1.2kg