

Order No.: 5XA1565E1F108 | GTIN (EAN): 4069025073754

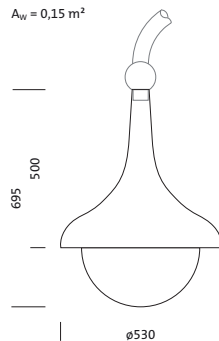
Product description: LgBelliQ,S120009,5180lm730,SR



Large Bell iQ, mast luminaire, primary light control with 3 zone faceted reflector, of plastic, silver coated, primary optical cover: enclosure, of PMMA, transparent, light distribution: S120009, primary beam angle: wide distribution, light emission: direct distribution, primary light characteristic: asymmetric, installation type: suspended mounting, rated values: 5.180lm | 34,3W | 151lm/W (begin service life); end service life: 5.180lm | 37,7W; at 50% lumin. flux: 2.590lm | 15,5W | 167,1lm/W, colour temperature: 3000K, colour rendering: CRI > 70, light colour: 730, light setting 1 (further light settings possible): 100% | 5.180lm | 34,3W | 151lm/W | 3.000K (begin service life); end service life: 37,7W, control gear: iQ Street-Remote, control: optimised constant luminous flux control (CLO 2.0), Desk-Remote (wireless, voltage-free reading and setting of iQ features in the workshop via application-optimized NFC function/Rfid function), Light-Fading, Smart-Wire, Night-Set, Lumen-Switch, Temp-Guard, Auto-Match, Street-Remote, pre-setting: logarithmic dimming characteristic, pre-setting: linear dimming characteristic, mains connection: 220..240V, AC, 50/60Hz, surge voltage resistance: surge voltage resistance: 10kV (common mode); 6kV (differential mode), luminaire housing, bell-shaped, of glass-fibre reinforced polyester, coated, SITECO metallic grey (DB 702S), please order curved mast extension separately, diameter: 530mm, height: 695mm, protection rating (complete): IP54, insulation class (complete): insulation class II (safety insulation), certification: CE, ENEC, VDE, impact resistance: IK08, standard-compliant lighting for roads and squares, packaging unit: 1 piece



Wt. (kg): 7.8
 GTIN (EAN): 4069025073754



Order No.: 5XA1565E1F108 | GTIN (EAN): 4069025073754

Detailed technical description: LgBelliQ,S120009,5180lm730,SR



Key data

- Product type: mast luminaire
- Product name: Large Bell iQ
- Order No.: 5XA1565E1F108

Lighting technology | Lamps | Control gear

Component 1

Lighting technology:

- Light control: 3 zone faceted reflector of plastic, silver coated
- Cover: enclosure, transparent
- Light distribution: S120009
- Beam angle: wide distribution
- Symmetry: asymmetric distribution
- Light emission: direct distribution

Lamps:

- Rated values: 5180lm | 34.3W | 151lm/W (begin service life); end service life: 5180lm | 37.7W; at 50% lumin. flux: 2590lm | 15.5W | 167.1lm/W
- Colour temperature: 3000K
- Colour rendering index: CRI > 70
- Light colour: 730
- SDCM (Standard Deviation of Colour Matching): MacAdam ≤ 5 SDCM (initial)

Factory light settings (LS):

- begin service life:
LS 1: 100% | 5180lm | 34.3W | 151lm/W | 3000K
- end service life:
LS 1: 37.7W
- further light settings possible

Operating device:

- Control: iQ Street-Remote
- Equipment: optimised constant luminous flux control (CLO 2.0), Desk-Remote (wireless, voltage-free reading and setting of iQ features in the workshop via application-optimized NFC function/RFID function), Light-Fading, Smart-Wire, Night-Set, Lumen-Switch, Temp-Guard, Auto-Match, Street-Remote, pre-setting: logarithmic dimming characteristic, pre-setting: linear dimming characteristic

Certificates, Standards

- Protection rating: IP54
- Insulation class: insulation class II (safety insulation)
- Impact resistance: IK08
- Supplement: standard-compliant lighting for roads and squares
- Certification, designation: CE, ENEC, VDE

Material, Colour

- luminaire housing: glass-fibre reinforced polyester, coated, SITECO metallic grey (DB 702S), bell-shaped, please order curved mast extension separately
- Cover: enclosure of PMMA

Mounting

- Mounting method, mounting location: suspended mounting, to curve

Electrical connection

- Nominal voltage: 220...240V, 50/60Hz, AC
- Surge voltage resistance: surge voltage resistance: 10kV (common mode); 6kV (differential mode)

Dimensions, Weight

- Diameter: 530mm
- Height: 695mm
- Weight: 7.8kg

Light emission

- Light emission: < 3%

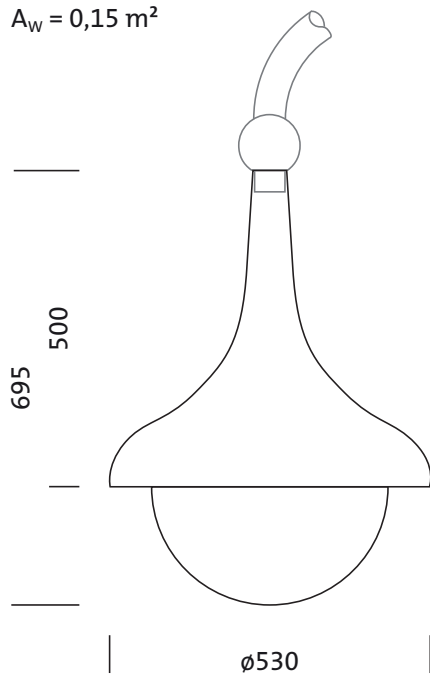
Service life

- Rated service life: 80000h (L96/B10) at AT = 25°C

Order No.: 5XA1565E1F108 | GTIN (EAN): 4069025073754

Dimensions: LgBelliQ,S120009,5180lm730,SR

$A_w = 0,15 \text{ m}^2$



It is mandatory that the assembly instructions must be observed when planning and installing the electrical installation (to be found at www.siteco.de)

Tolerances related to thermal, electrical and photometric data according to IEC 62722

Issued 13.03.2026 - Modifications and errors subject to change - Ensure that you always use the latest version -