

Order No.: 5XA1565K1F108 | GTIN (EAN): 4069025123428

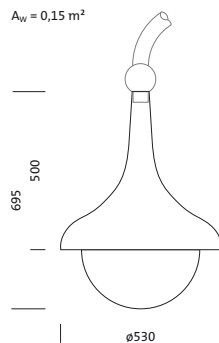
Product description: LgBelliQ,S120009,5420lm740,SR



Large Bell iQ, mast luminaire, primary light control with 3 zone faceted reflector, of plastic, silver coated, primary optical cover: enclosure, of PMMA, transparent, light distribution: S120009, primary beam angle: wide distribution, light emission: direct distribution, primary light characteristic: asymmetric, installation type: suspended mounting, rated values: 5.420lm | 34,3W | 158lm/W (begin service life); end service life: 5.420lm | 37,7W; at 50% lumin. flux: 2.710lm | 15,6W | 173,7lm/W, colour temperature: 4000K, colour rendering: CRI > 70, light colour: 740, light setting 1 (further light settings possible): 100% | 5.420lm | 34,3W | 158lm/W | 4.000K (begin service life); end service life: 37,7W, control gear: iQ Street-Remote, control: optimised constant luminous flux control (CLO 2.0), Desk-Remote (wireless, voltage-free reading and setting of iQ features in the workshop via application-optimized NFC function/RFID function), Light-Fading, Smart-Wire, Night-Set, Lumen-Switch, Temp-Guard, Auto-Match, Street-Remote, pre-setting: logarithmic dimming characteristic, pre-setting: linear dimming characteristic, mains connection: 220..240V, AC, 50/60Hz, surge voltage resistance: surge voltage resistance: 10kV (common mode); 6kV (differential mode), luminaire housing, bell-shaped, of glass-fibre reinforced polyester, coated, SITECO metallic grey (DB 702S), please order curved mast extension separately, diameter: 530mm, height: 695mm, protection rating (complete): IP54, insulation class (complete): insulation class II (safety insulation), certification: CE, ENEC, VDE, impact resistance: IK08, standard-compliant lighting for roads and squares, packaging unit: 1 piece



Wt. (kg): 7.8  
 GTIN (EAN): 4069025123428



Order No.: 5XA1565K1F108 | GTIN (EAN): 4069025123428

Detailed technical description: LgBelliQ,S120009,5420lm740,SR



### Key data

- Product type: mast luminaire
- Product name: Large Bell iQ
- Order No.: 5XA1565K1F108

### Lighting technology | Lamps | Control gear

#### Component 1

#### Lighting technology:

- Light control: 3 zone faceted reflector of plastic, silver coated
- Cover: enclosure, transparent
- Light distribution: S120009
- Beam angle: wide distribution
- Symmetry: asymmetric distribution
- Light emission: direct distribution

#### Lamps:

- Rated values: 5420lm | 34.3W | 158lm/W (begin service life); end service life: 5420lm | 37.7W; at 50% lumin. flux: 2710lm | 15.6W | 173.7lm/W
- Colour temperature: 4000K
- Colour rendering index: CRI > 70
- Light colour: 740
- SDCM (Standard Deviation of Colour Matching): MacAdam ≤ 5 SDCM (initial)

#### Factory light settings (LS):

- begin service life:  
LS 1: 100% | 5420lm | 34.3W | 158lm/W | 4000K
- end service life:  
LS 1: 37.7W
- further light settings possible

#### Operating device:

- Control: iQ Street-Remote
- Equipment: optimised constant luminous flux control (CLO 2.0), Desk-Remote (wireless, voltage-free reading and setting of iQ features in the workshop via application-optimized NFC function/RFID function), Light-Fading, Smart-Wire, Night-Set, Lumen-Switch, Temp-Guard, Auto-Match, Street-Remote, pre-setting: logarithmic dimming characteristic, pre-setting: linear dimming characteristic

### Certificates, Standards

- Protection rating: IP54
- Insulation class: insulation class II (safety insulation)
- Impact resistance: IK08
- Supplement: standard-compliant lighting for roads and squares
- Certification, designation: CE, ENEC, VDE

### Material, Colour

- luminaire housing: glass-fibre reinforced polyester, coated, SITECO metallic grey (DB 702S), bell-shaped, please order curved mast extension separately
- Cover: enclosure of PMMA

### Mounting

- Mounting method, mounting location: suspended mounting, to curve

### Electrical connection

- Nominal voltage: 220...240V, 50/60Hz, AC
- Surge voltage resistance: surge voltage resistance: 10kV (common mode); 6kV (differential mode)

### Dimensions, Weight

- Diameter: 530mm
- Height: 695mm
- Weight: 7.8kg

### Light emission

- Light emission: < 3%

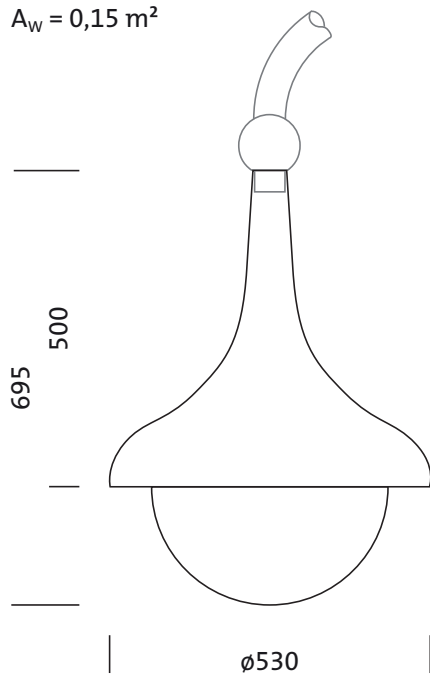
### Service life

- Rated service life: 80000h (L96/B10) at AT = 25°C

Order No.: 5XA1565K1F108 | GTIN (EAN): 4069025123428

Dimensions: LgBelliQ,S120009,5420lm740,SR

$A_w = 0,15 \text{ m}^2$



It is mandatory that the assembly instructions must be observed when planning and installing the electrical installation (to be found at [www.siteco.de](http://www.siteco.de))

Tolerances related to thermal, electrical and photometric data according to IEC 62722

Issued 13.03.2026 - Modifications and errors subject to change - Ensure that you always use the latest version -