

Order No.: 51HN11DB4RLA | GTIN (EAN): 4069025418586

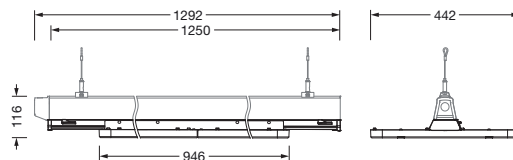
Product description: HB11/Lic-mx,nrrw,42500lm840,DA2



high bay luminaire Highbay 11 for Licross trunking rail maxi; direct symmetric narrow distribution, light control with lens of PMMA; UGR ≤ 22 (X = 4H | Y = 8H | S = 0.25H | reflection values 70/50/20); luminous flux: 42.500lm; light colour: 840, colour temperature: 4000K, MacAdam ≤ 2 SDCM (initial), colour rendering: CRI > 80; luminous efficacy: 198,9lm/W; rated service life: 100.000h (L95) at AT= 25°C; control: DALI 2; luminaire connection: plug, 5-pole, with phase selection mains connection: 230..240V, AC 50/60Hz; connected load: 213,7W; protection rating (complete): IP64; insulation class (complete): insulation class I (protective earthing); protection symbol: D; impact resistance: IK06; certification: CE, ENEC, VDE, UKCA; internal wiring halogen-free; luminaire LABS conformity tested according to VDMA 24364:2018-05; Suitable for use in the food industry according to the specifications of IFS-Food, HACCP and/or BRC; housing frame of high-performance plastic PA6, matt traffic white (RAL 9016); cover of PMMA; fixing on rail side of steel, galvanised, white; blank cover of PC/ABS, traffic white (RAL 9016); dimension (LxWxH): 1.250 x 442 x 71mm; permissible operating ambient temperature: -40..+50°C (reducing of maximum allowable ambient temperature of 5°C with ceiling mounting); packaging unit: 1 piece



Lamps: LED
 Wt. (kg): 7.0
 GTIN (EAN): 4069025418586



Order No.: 51HN11DB4RLA | **GTIN (EAN):** 4069025418586

Detailed technical description: HB11/Lic-mx,nrrw,42500lm840,DA2



Key data

- Product type: high bay luminaire
- Product name: Highbay 11 for Licross trunking rail maxi
- Order No.: 51HN11DB4RLA

Lighting technology | Lamps | Control gear

Component 1

Lighting technology:

- Light control: lens of PMMA
- Cover: cover
- Beam angle: narrow distribution
- Symmetry: symmetric
- Light emission: direct distribution
- UGR viewing direction along longitudinal luminaire axis: ≤ 22
- UGR viewing direction along lateral luminaire axis: ≤ 22

Lamps:

- Lamps: with LED
- Rated luminous flux: 42500lm
- Luminous efficacy: 199lm/W
- Colour temperature: 4000K
- Colour rendering index: CRI > 80
- Light colour: 840
- SDCM (Standard Deviation of Colour Matching): MacAdam ≤ 2 SDCM (initial)
- Rated input power: 213.7W
- Supplement: internal wiring halogen-free

Operating device:

- Control: DALI 2

Certificates, Standards

- Protection rating: IP64
- Insulation class: insulation class I (protective earthing)
- Impact resistance: IK06
- Protection symbol: D
- Temperature range (operation): -40..+50°C
- Supplement: LABS conformity tested according to VDMA 24364:2018-05, Suitable for use in the food industry according to the specifications of IFS-Food, HACCP and/or BRC
- Certification, designation: CE, ENEC, VDE, UKCA

Material, Colour

- housing frame: high-performance plastic PA6, matt traffic white (RAL 9016)
- fixing on rail side: steel, galvanised, white
- blank cover: PC/ABS, traffic white (RAL 9016)
- Cover: cover of PMMA

Mounting

- Arrangement: continuous row arrangement

Electrical connection

- Connection: plug, 5-pole, with phase selection
- Nominal voltage: 230..240V, 50/60Hz, AC

Dimensions, Weight

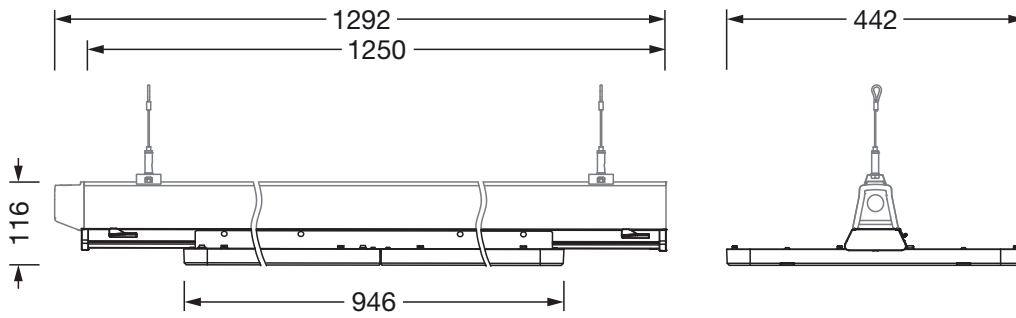
- Length: 1250mm
- Width: 442mm
- Height: 71mm
- Weight: 7.0kg

Service life

- Rated service life: 100000h (L95) at AT = 25°C, 100000h (L90) at AT = ta max

Order No.: 51HN11DB4RLA | GTIN (EAN): 4069025418586

Dimensions: HB11/Lic-mx,nrrw,42500lm840,DA2



It is mandatory that the assembly instructions must be observed when planning and installing the electrical installation (to be found at www.siteco.de)
Tolerances related to thermal, electrical and photometric data according to IEC 62722
Issued 20.03.2026 - Modifications and errors subject to change - Ensure that you always use the latest version -