

Order No.: 5XJ3EQ3AG108 | GTIN (EAN): 4069025498731

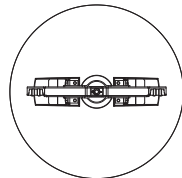
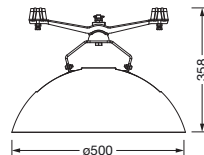
Product description: DL500iQ,cat,S100004,15610lm730,SR



DL 500 iQ, catenary luminaire, primary light control with lens, of PMMA, primary optical cover: cover, of toughened safety glass, transparent, light distribution: S100004, primary beam angle: wide distribution, light emission: direct distribution, primary light characteristic: symmetric, installation type: suspended mounting, lamps: LED, rated values: 15.610lm | 98,9W | 157,8lm/W (begin service life); end service life: 15.610lm | 105,4W; at 50% lumin. flux: 7.805lm | 45,3W | 172,3lm/W, colour temperature: 3000K, colour rendering: CRI > 70, light colour: 730, light setting 1 (further light settings possible): 100% | 15.610lm | 98,9W | 157,8lm/W | 3.000K (begin service life); end service life: 105,4W, control gear: iQ Street-Remote, control: optimised constant luminous flux control (CLO 2.0), Desk-Remote (wireless, voltage-free reading and setting of iQ features in the workshop via application-optimized NFC function/RFID function), Light-Fading, Smart-Wire, Night-Set, Lumen-Switch, Temp-Guard, Auto-Match, Street-Remote, mains connection: 230..240V, AC, 50/60Hz, surge voltage resistance: surge voltage resistance: 10kV (common mode); 6kV (differential mode), luminaire housing, of diecast aluminium, powder-coated, SITECO metallic grey (DB 702S), diameter: 500mm, protection rating (complete): IP66, insulation class (complete): insulation class II (safety insulation), certification: CE, impact resistance: IK09, standard-compliant lighting for roads and squares, packaging unit: 1 piece

IP 66 IK 09  

Lamps:	LED
Wt. (kg):	9.9
GTIN (EAN):	4069025498731



Order No.: 5XJ3EQ3AG108 | GTIN (EAN): 4069025498731

Detailed technical description: DL500iQ,cat,S100004,15610lm730,SR



Key data

- Product type: catenary luminaire
- Product name: DL 500 iQ
- Order No.: 5XJ3EQ3AG108

Lighting technology | Lamps | Control gear

Component 1

Lighting technology:

- Light control: lens of PMMA
- Cover: cover, transparent
- Light distribution: S100004
- Beam angle: wide distribution
- Symmetry: symmetric distribution
- Light emission: direct distribution

Lamps:

- Lamps: with LED
- Rated values: 15610lm | 98.9W | 157.8lm/W (begin service life); end service life: 15610lm | 105.4W; at 50% lumin. flux: 7805lm | 45.3W | 172.3lm/W
- Colour temperature: 3000K
- Colour rendering index: CRI > 70
- Light colour: 730
- SDCM (Standard Deviation of Colour Matching): MacAdam ≤ 5 SDCM (initial)

Factory light settings (LS):

- begin service life:
LS 1: 100% | 15610lm | 98.9W | 157.8lm/W | 3000K
- end service life:
LS 1: 105.4W
- further light settings possible

Operating device:

- Control: iQ Street-Remote
- Equipment: optimised constant luminous flux control (CLO 2.0), Desk-Remote (wireless, voltage-free reading and setting of iQ features in the workshop via application-optimized NFC function/RFID function), Light-Fading, Smart-Wire, Night-Set, Lumen-Switch, Temp-Guard, Auto-Match, Street-Remote

Certificates, Standards

- Protection rating: IP66
- Insulation class: insulation class II (safety insulation)
- Impact resistance: IK09
- Supplement: standard-compliant lighting for roads and squares
- Certification, designation: CE

Material, Colour

- luminaire housing: diecast aluminium, powder-coated, SITECO metallic grey (DB 702S)
- Cover: cover of toughened safety glass

Mounting

- Mounting method, mounting location: suspended mounting, to wire

Electrical connection

- Nominal voltage: 230..240V, 50/60Hz, AC
- Surge voltage resistance: surge voltage resistance: 10kV (common mode); 6kV (differential mode)

Dimensions, Weight

- Diameter: 500mm
- Weight: 9.9kg

Light emission

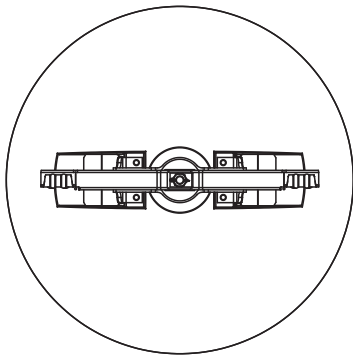
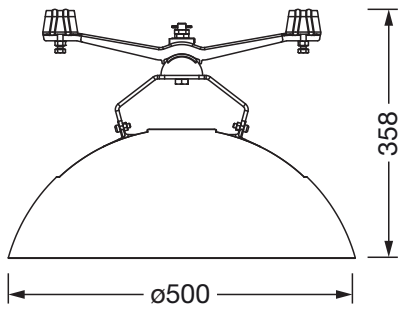
- Light emission: 0%

Service life

- Rated service life: 100000h at AT = 25°C

Order No.: 5XJ3EQ3AG108 | GTIN (EAN): 4069025498731

Dimensions: DL500iQ,cat,S100004,15610lm730,SR



It is mandatory that the assembly instructions must be observed when planning and installing the electrical installation (to be found at www.siteco.de)

Tolerances related to thermal, electrical and photometric data according to IEC 62722

Issued 27.03.2026 - Modifications and errors subject to change - Ensure that you always use the latest version -